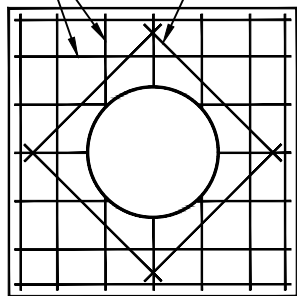
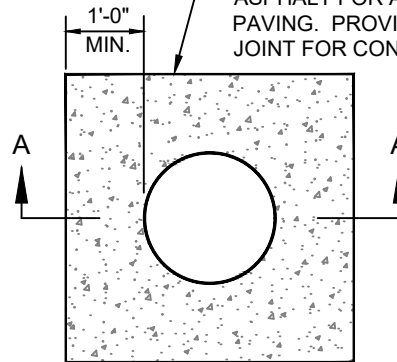


#4 BARS @ 8" C/C  
 4 EA. - #4 BARS  
 DIAGONAL TO MAIN  
 REINFORCEMENT

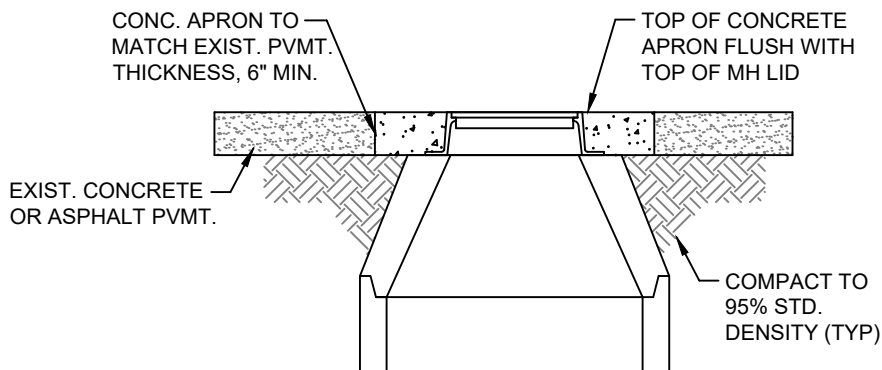


PLAN VIEW  
 TYPICAL REINFORCEMENT  
 FOR CONCRETE APRON

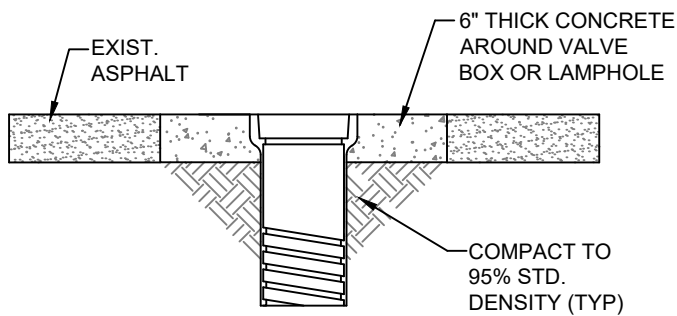
SEAL EDGE W/ RUBBERIZED  
 ASPHALT FOR ASPHALT  
 PAVING. PROVIDE EXPANSION  
 JOINT FOR CONCRETE PAVING.



PLAN VIEW  
 CONCRETE APRON  
 6" MIN. THICKNESS

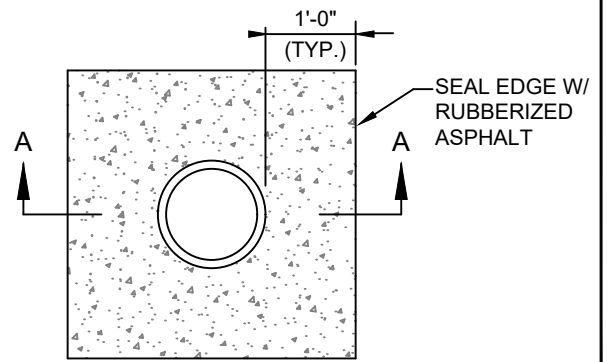


SECTION A - A  
**ADJUST MANHOLE TO GRADE**



SECTION A - A

**ADJUST WATER VALVE  
 OR LAMPHOLE TO GRADE**



PLAN VIEW  
 CONCRETE APRON  
 6" MIN. THICKNESS

REVISION	BY	DATE	<b>MANHOLE, LAMPHOLE, OR          VALVE BOX IN STREET</b> STANDARD DETAILS	
			DATE: 4-11-22	STANDARD NO. STRT-16