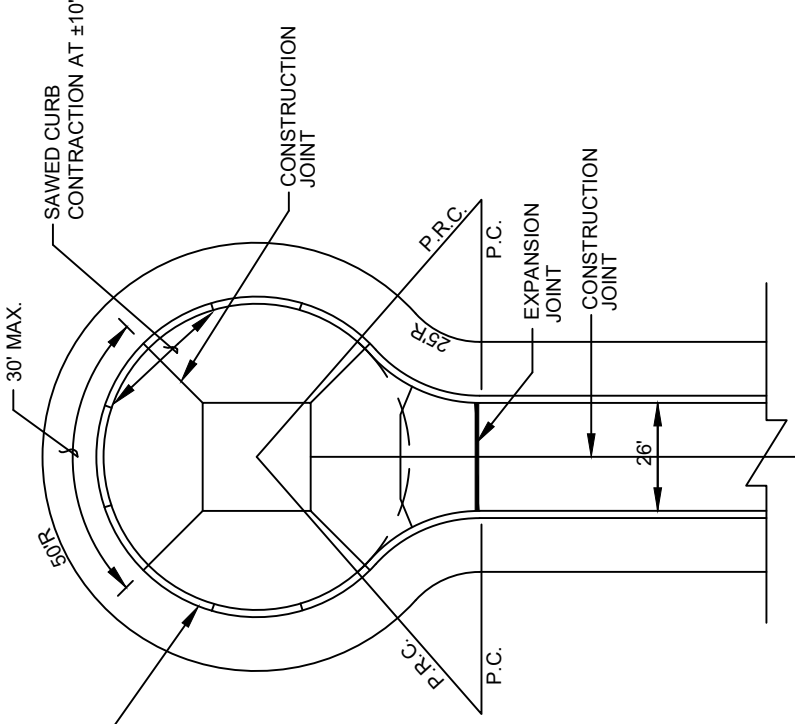
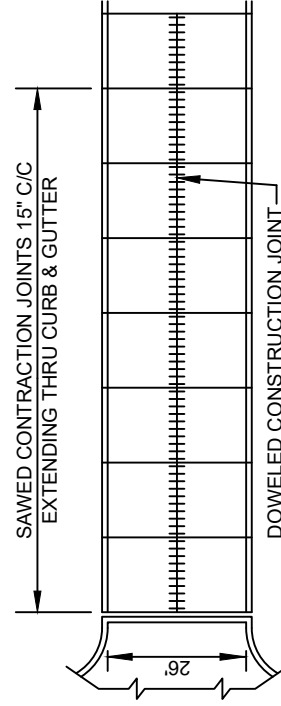


STANDARD CUL-DE-SAC, 40'R



STANDARD CUL-DE-SAC, 40'R

OPEN CENTER



PAVEMENT JOINT LAYOUT AT INTERSECTION

REVISION	BY	DATE

CONCRETE PAVEMENT JOINT PLAN (CUL-DE-SAC)		
STANDARD DETAILS		
CITY OF JENKS, OKLAHOMA		
ENGINEERING DEPARTMENT		
DATE:	4-11-22	STANDARD NO. STRT-12