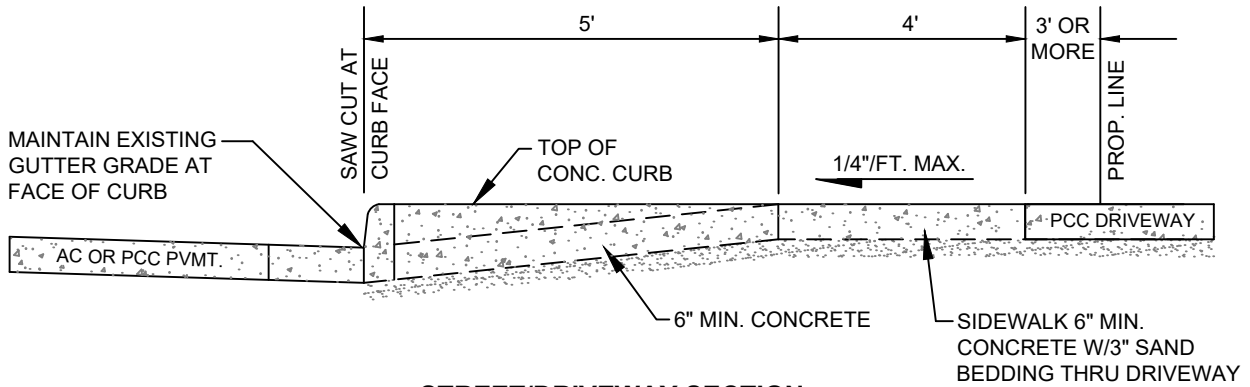
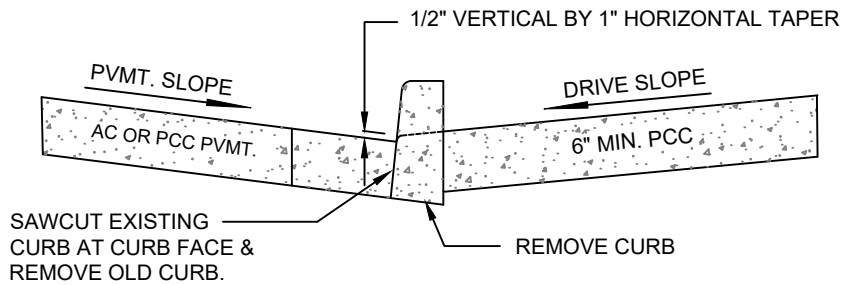


RESIDENTIAL DRIVE



STREET/DRIVEWAY SECTION



SECTION AT GUTTER

* IF CURB CUT IS WITHIN 18" OF EXISTING CURB CONTRACTION JOINT, REMOVE EXISTING CURB TO THE CONTRACTION JOINT AND REPLACE WITH NEW CURB RETURN PLACEMENT.

REVISION	BY	DATE	RESIDENTIAL DRIVEWAY	
			STANDARD DETAILS	
			CITY OF JENKS, OKLAHOMA	
			ENGINEERING DEPARTMENT	
			DATE: 4-11-22	STANDARD NO. STRT-08