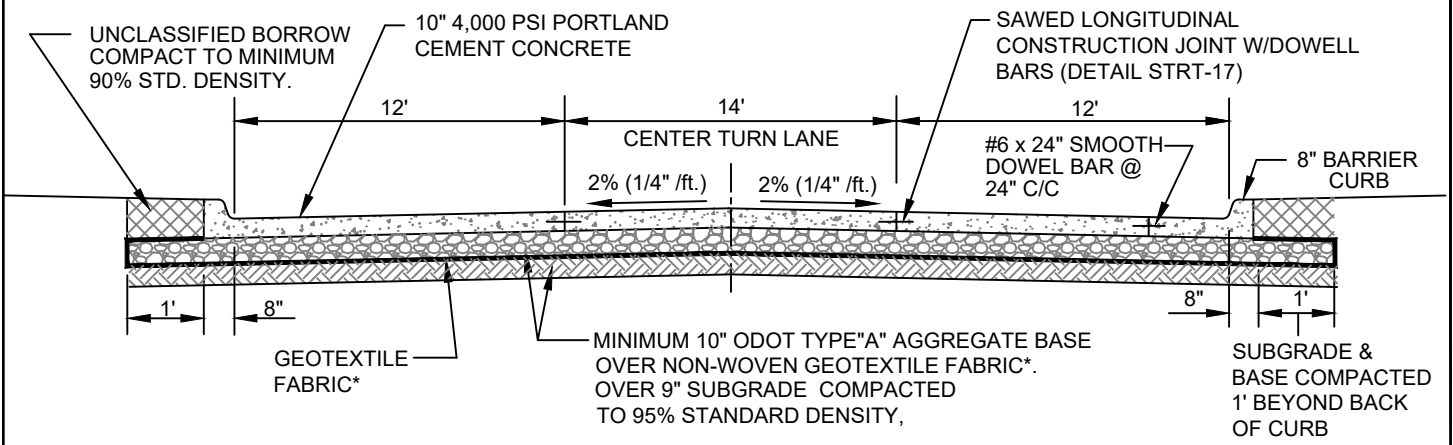


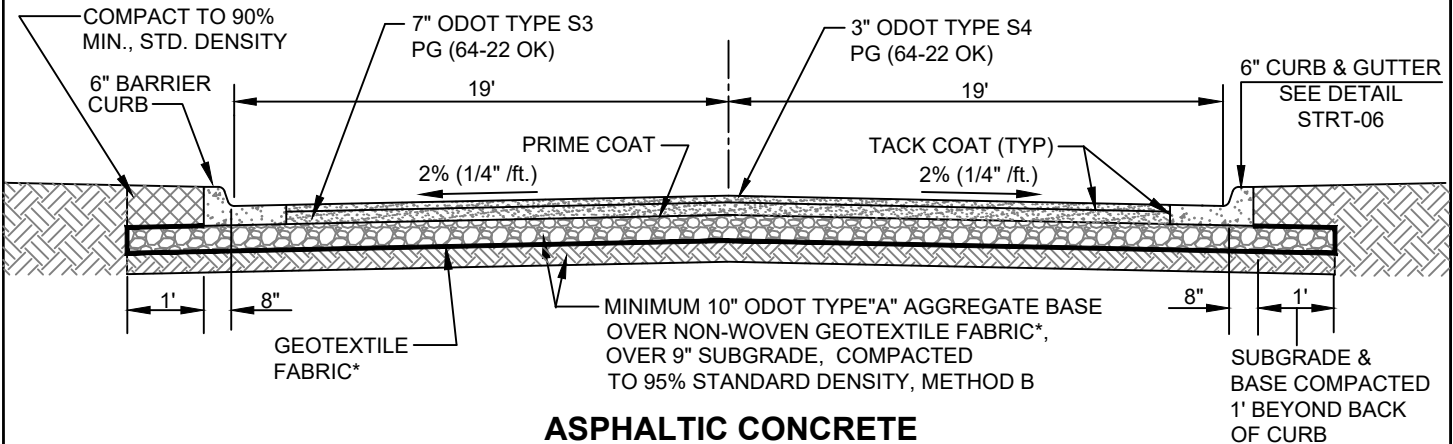
TYPICAL SECTION



HALF SECTION INTEGRAL CURB & GUTTER

CONCRETE STREET SECTION

HALF SECTION SEPARATE PLACEMENTS



ASPHALTIC CONCRETE STREET SECTION

NOTES:

1. SECTIONS SHOWN ARE MINIMUM REQUIRED. SUBGRADE MAY REQUIRE ADDITIONAL THICKNESS OF MODIFICATION OR A SUBBASE DRAINAGE SYSTEM WHERE SEVERE SOIL CONDITIONS EXIST.
2. FOR EXISTING SUBGRADE MATERIAL WITH $PI \leq 10$ SUBGRADE SHALL BE CLASSIFIED SELECT, INERT MATERIAL OR STABILIZED AND COMPACTED TO 95% STANDARD PROCTOR DENSITY.
3. ASPHALT SURFACES SHALL CONFORM TO ODOT STANDARD 401.04 FJOR TOLERANCES.
- *4. GEOTEXTILE FABRIC SHALL BE CONTECH C-80NW OR EQUIVALENT.

REVISION	BY	DATE

COMMERCIAL/ INDUSTRIAL COLLECTOR STREET STANDARD DETAILS	
CITY OF JENKS, OKLAHOMA	
ENGINEERING DEPARTMENT	
DATE: 4-11-22	STANDARD NO. STRT-04