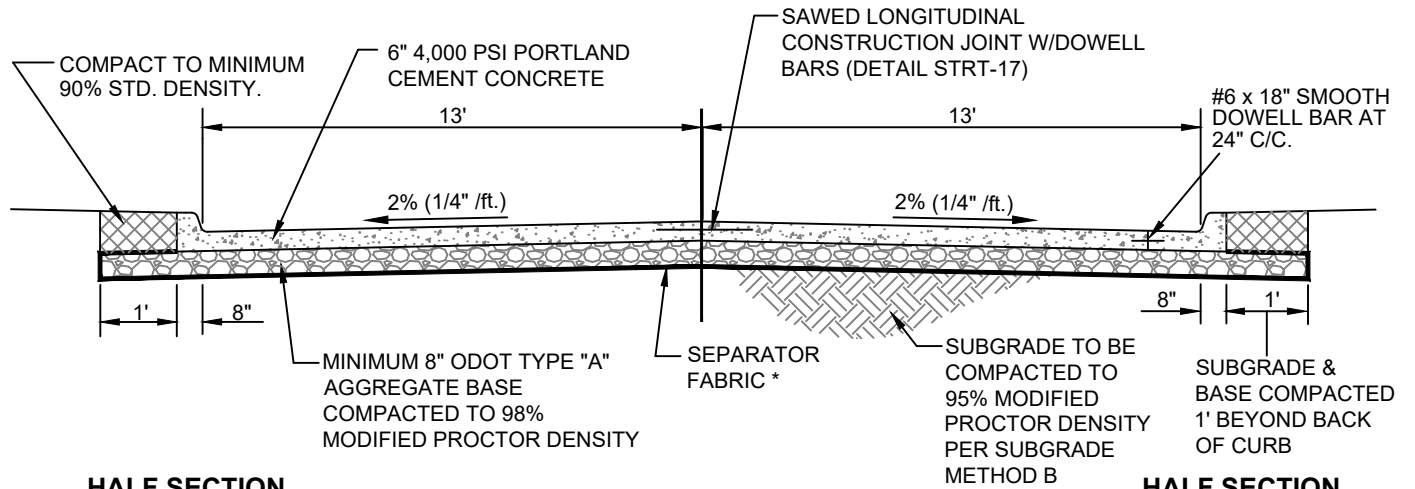


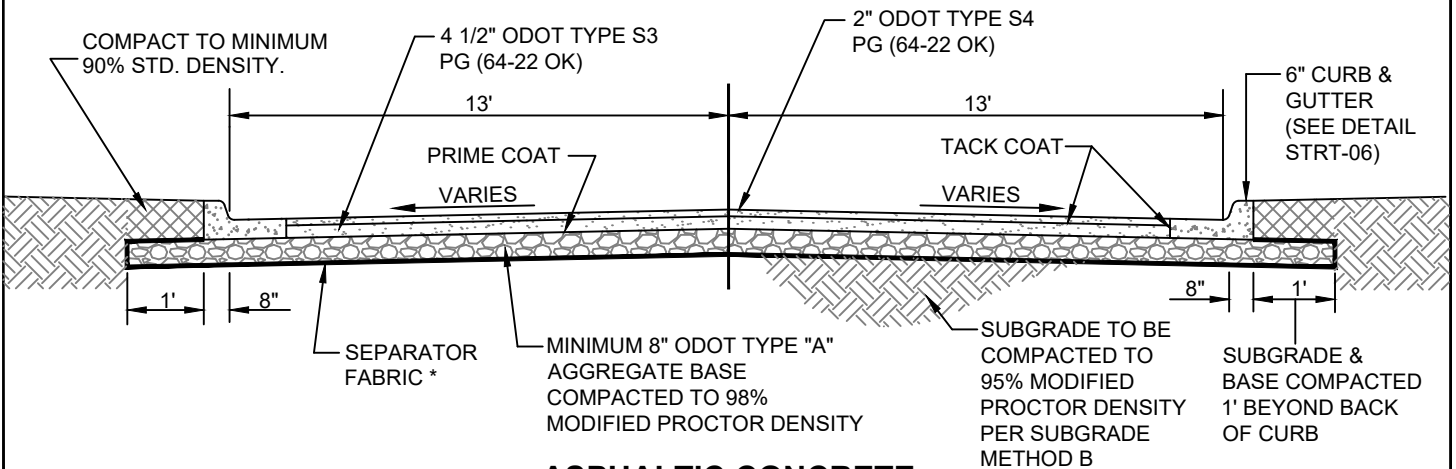
TYPICAL SECTION



**HALF SECTION
INTEGRAL CURB & GUTTER**

CONCRETE STREET SECTION

**HALF SECTION
SEPARATE PLACEMENTS**



**ASPHALTIC CONCRETE
STREET SECTION**

NOTES:

1. SECTIONS SHOWN ARE MINIMUM REQUIRED. SUBGRADE MAY REQUIRE ADDITIONAL THICKNESS OF MODIFICATION OR A SUBBASE DRAINAGE SYSTEM WHERE SEVERE SOIL CONDITIONS EXIST.
2. FOR EXISTING SUBBASE MATERIAL WITH $PI \leq 10$ SUBGRADE SHALL BE CLASSIFIED SELECT, INERT MATERIAL OR STABILIZED AND COMPACTED TO 95% STANDARD PROCTOR DENSITY.
3. ASPHALT SURFACES SHALL CONFORM TO ODOT STANDARD 401.04 FOR TOLERANCES AND FOR TEXTURE.
- * 4. GEOTEXTILE FABRIC SHALL BE CONTECH C-80NW OR EQUAL.

REVISION	BY	DATE	RESIDENTIAL MINOR STREET STANDARD DETAILS	
			CITY OF JENKS, OKLAHOMA	
			ENGINEERING DEPARTMENT	
			DATE: 4/11/22	STANDARD NO. STRT-01