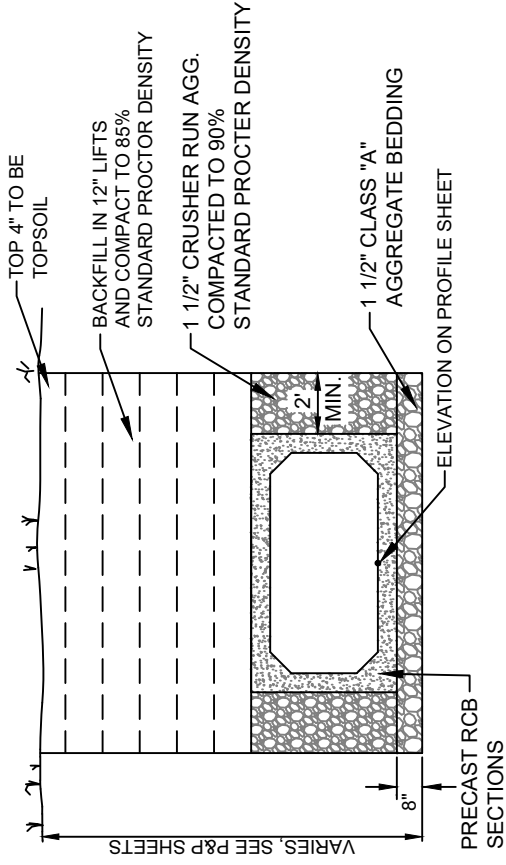
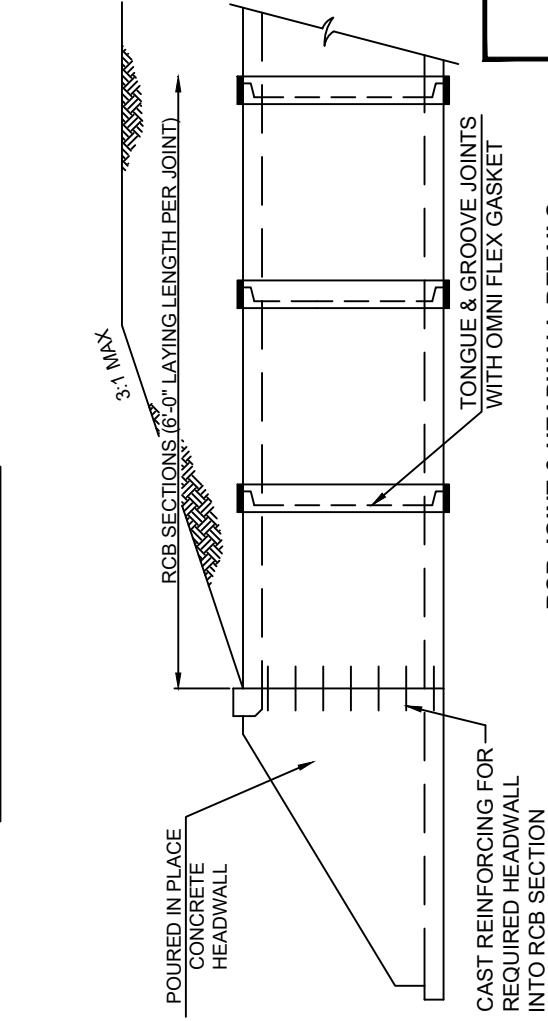


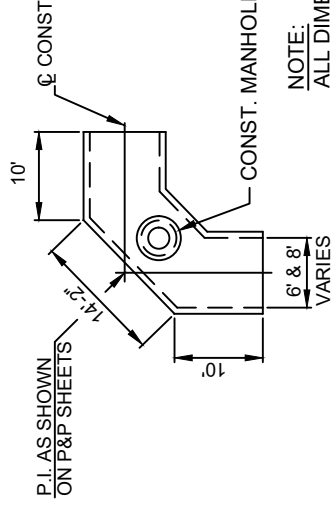
RCB DETAIL - PAVED AREAS



RCB DETAIL - OPEN AREAS



RCB JOINT & HEADWALL DETAILS



RCB 90° BEND DETAIL

NOTE:
ALL DIMENSIONS ARE INSIDE DIMENSIONS. RCB 90° BENDS, AS SHOWN, SHALL BE CAST IN PLACE CONCRETE IN ACCORDANCE WITH CURRENT ODOT STANDARDS.

STORMWATER BOX CULVERT STANDARD DETAILS	
CITY OF JENKS, OKLAHOMA	
ENGINEERING DEPARTMENT	
REVISION	DATE
BY	
DATE	4-11-22
STANDARD NO.	STRM-10