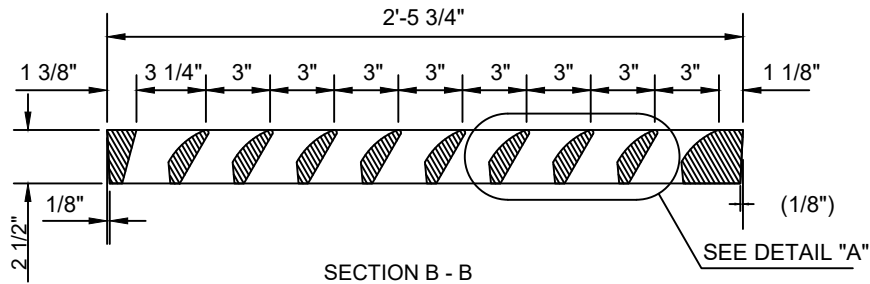
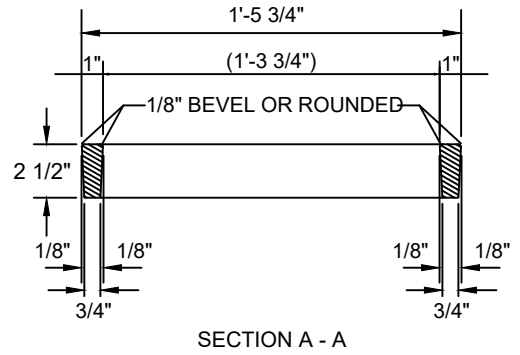
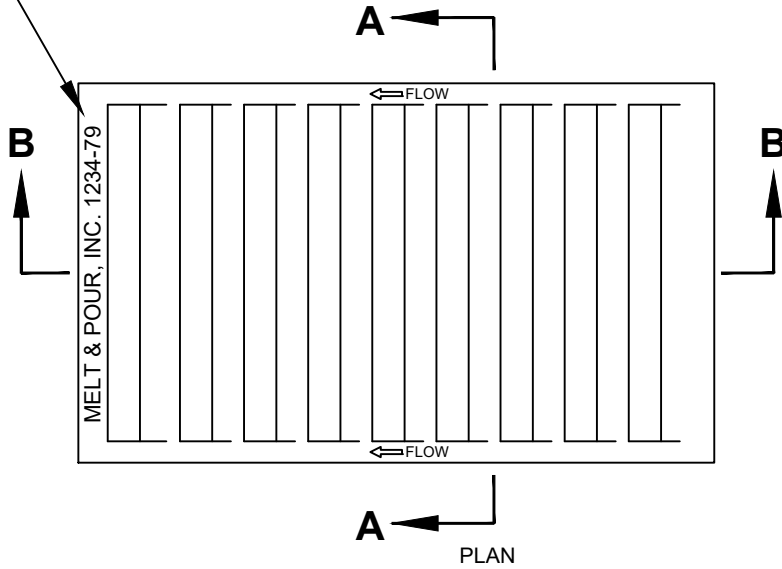
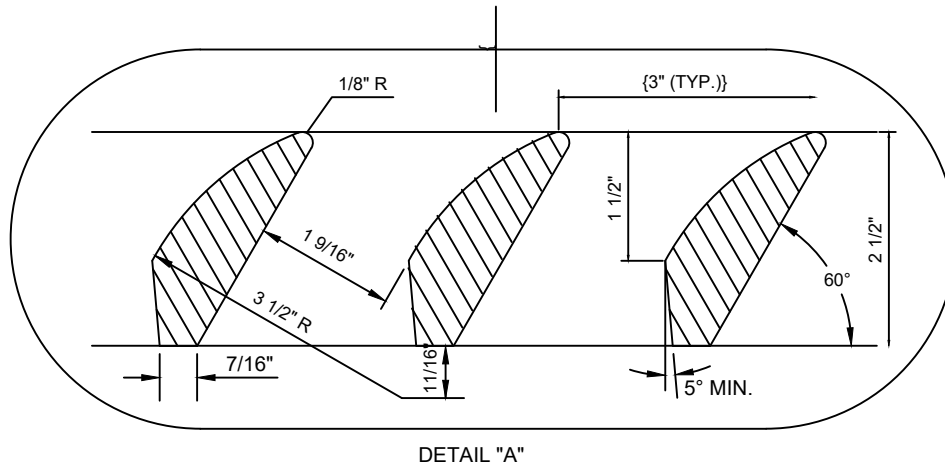


LETTERING TO IDENTIFY FOUNDRY OR DISTRIBUTOR.  
 LETTERING TO BE NO HIGHER THAN 3/4". HEAT NUMBER OR  
 OTHER IDENTIFICATION OF PRODUCT MAY BE INCLUDED.



**CAST GRATE**  
 NEENAH R-3076 OR AN APPROVED EQUAL



REVISION	BY	DATE	<b>STORMWATER CURB INLET GRATE</b>	
			STANDARD DETAILS	
			CITY OF JENKS, OKLAHOMA	
			ENGINEERING DEPARTMENT	
			DATE: 4-11-22	STANDARD NO. STRM-09