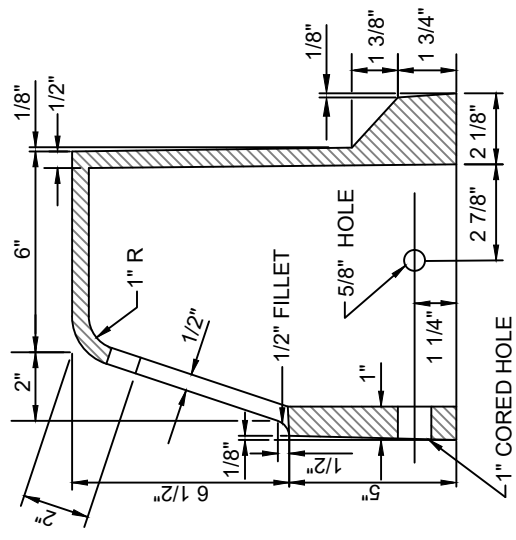
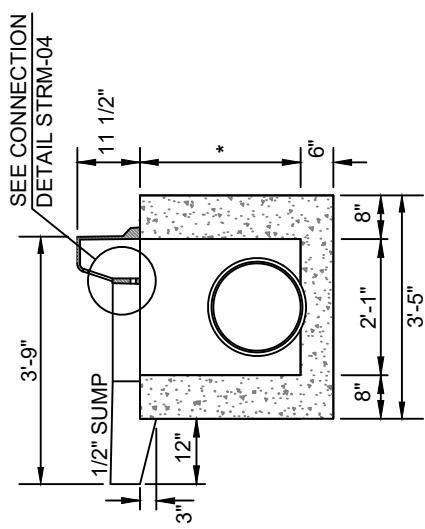


CAST IRON STORM SEWER CURB HOOD
 NEENAH R-3076-6BOK
 OR AN APPROVED EQUAL

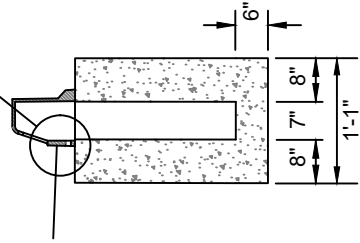


6" BARRIER CURB HOOD
 NEENAH R-3076-6BOK
 OR AN APPROVED EQUAL

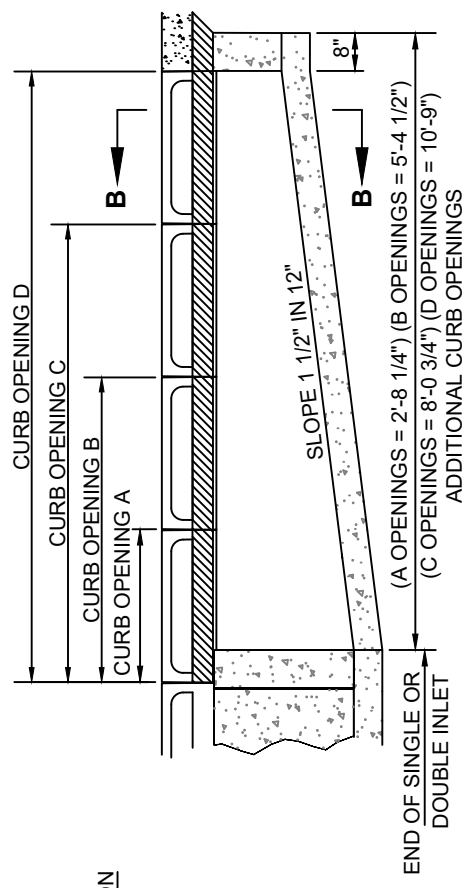


SECTION A-A

SEE CONNECTION
 DETAIL STRM-04



SECTION B-B



*** MINIMUM DEPTH FOR PRECAST WALLS**

1'-11"	FOR 15" HP-STORM
2'-3"	FOR 18" HP-STORM
2'-9"	FOR 24" HP-STORM
3'-3"	FOR 30" HP-STORM
3'-9"	FOR 36" HP-STORM

CURB INLET (2 OF 2)
 STANDARD DETAILS

CITY OF JENKS, OKLAHOMA
 ENGINEERING DEPARTMENT

DATE: 4-11-22
 STANDARD NO. STRM-05

REVISION	BY	DATE