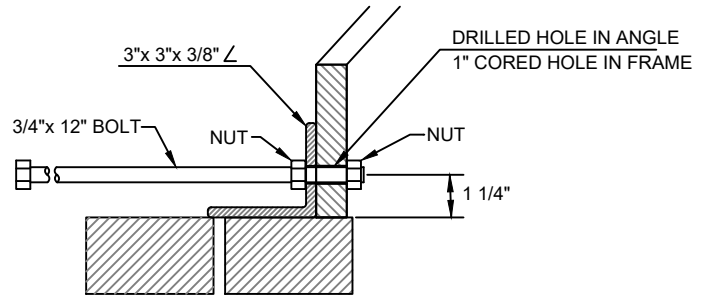


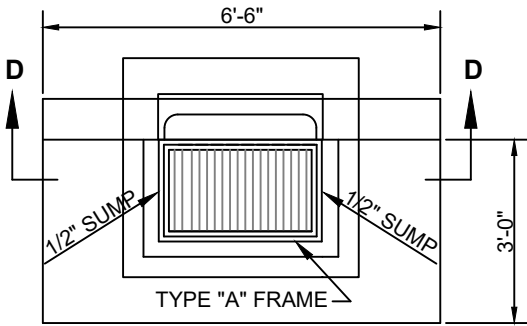
**DETAIL OF CONNECTION**  
FRAME AND CAST IRON CURB

NOTE: FRAME TO BE BOLTED TO THE CURB WITH  
3 EACH 3/4" x 4 1/2" MACHINE BOLTS

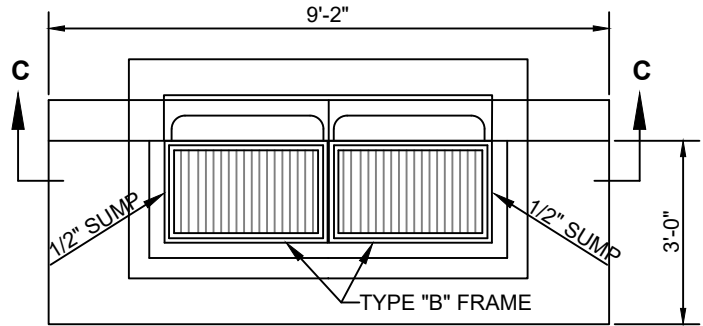


**DETAIL OF CONNECTION**  
ANGLE IRON & CAST IRON CURB

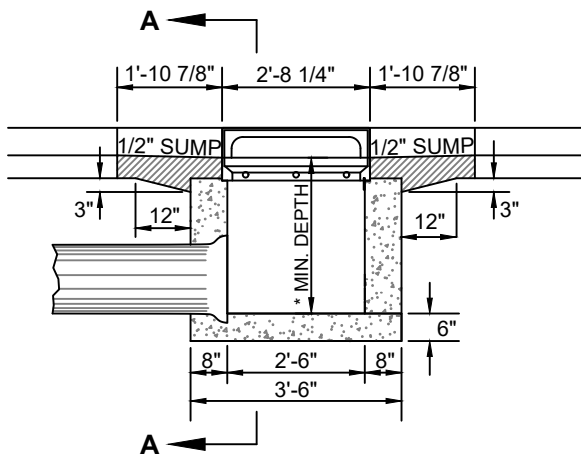
NOTE: ANGLE IRON TO BE BOLTED TO CURB  
WITH 3 - 3/4" x 12" MACHINE BOLTS  
IN EACH CURB SECTION



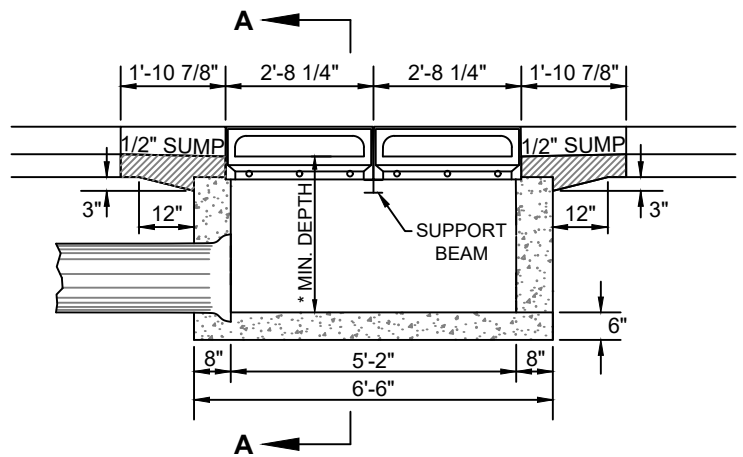
**PLAN**



**PLAN**



**SECTION D-D**  
**SINGLE GRATE CURB INLET**



**SECTION C-C**  
**DOUBLE GRATE CURB INLET**

* MINIMUM DEPTH FOR INLETS
2'-4" FOR 15" HP-STORM
2'-8" FOR 18" HP-STORM
3'-2" FOR 24" HP-STORM
3'-8" FOR 30" HP-STORM
4'-2" FOR 36" HP-STORM

REVISION	BY	DATE	<b>CURB INLET (1 OF 2)</b> STANDARD DETAILS	
			CITY OF JENKS, OKLAHOMA	
			ENGINEERING DEPARTMENT	
			DATE: 4-11-22	STANDARD NO. STRM-04