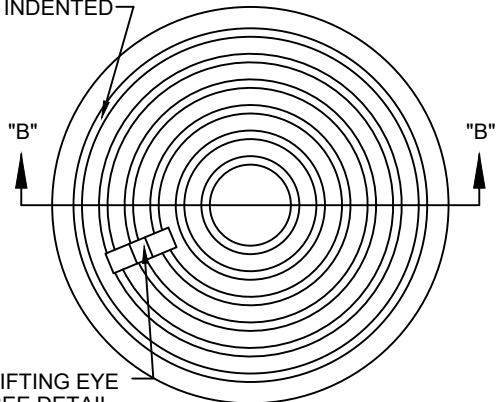
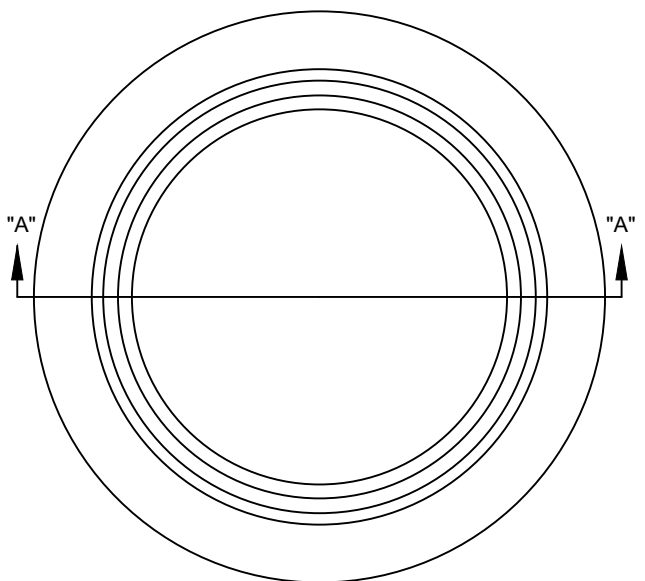


1/4" HALF ROUNDS
INDENTED

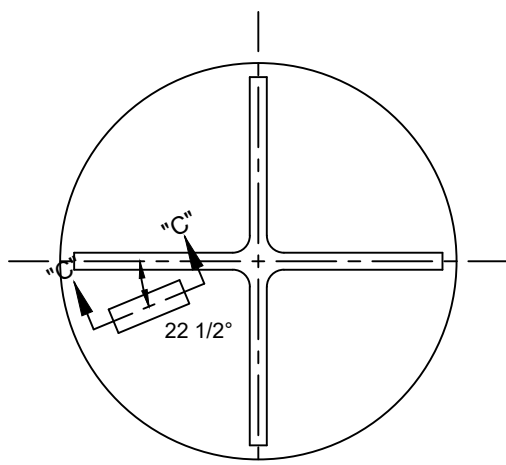


LIFTING EYE
SEE DETAIL
BELOW

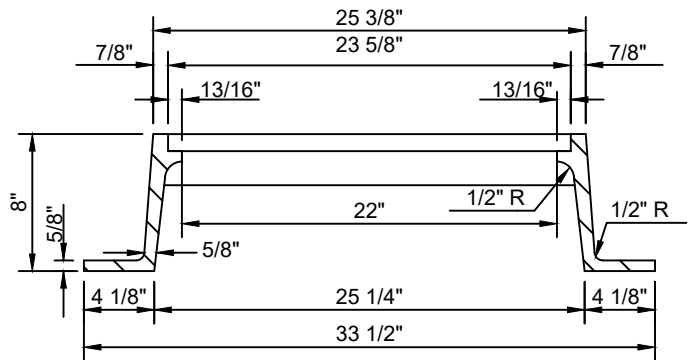
TOP OF COVER



PLAN

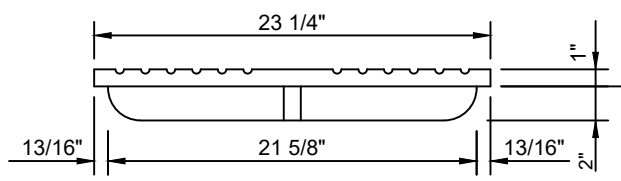


BOTTOM OF COVER



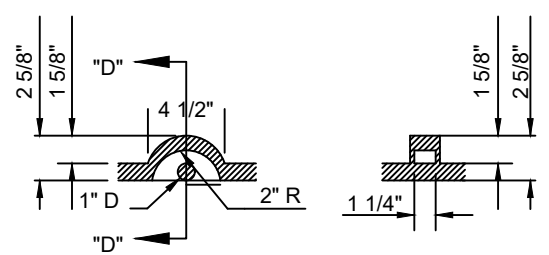
SECTION "A"- "A"

MANHOLE FRAME



SECTION "B"- "B"

MANHOLE COVER



SECTION "C"- "C"

SECTION "D"- "D"

LIFTING EYE DETAIL

REVISION	BY	DATE	STORMWATER MANHOLE FRAME & COVER STANDARD DETAILS	
			CITY OF JENKS OKLAHOMA	
			ENGINEERING DEPARTMENT	
			DATE: 4-11-22	STANDARD NO. STM-02